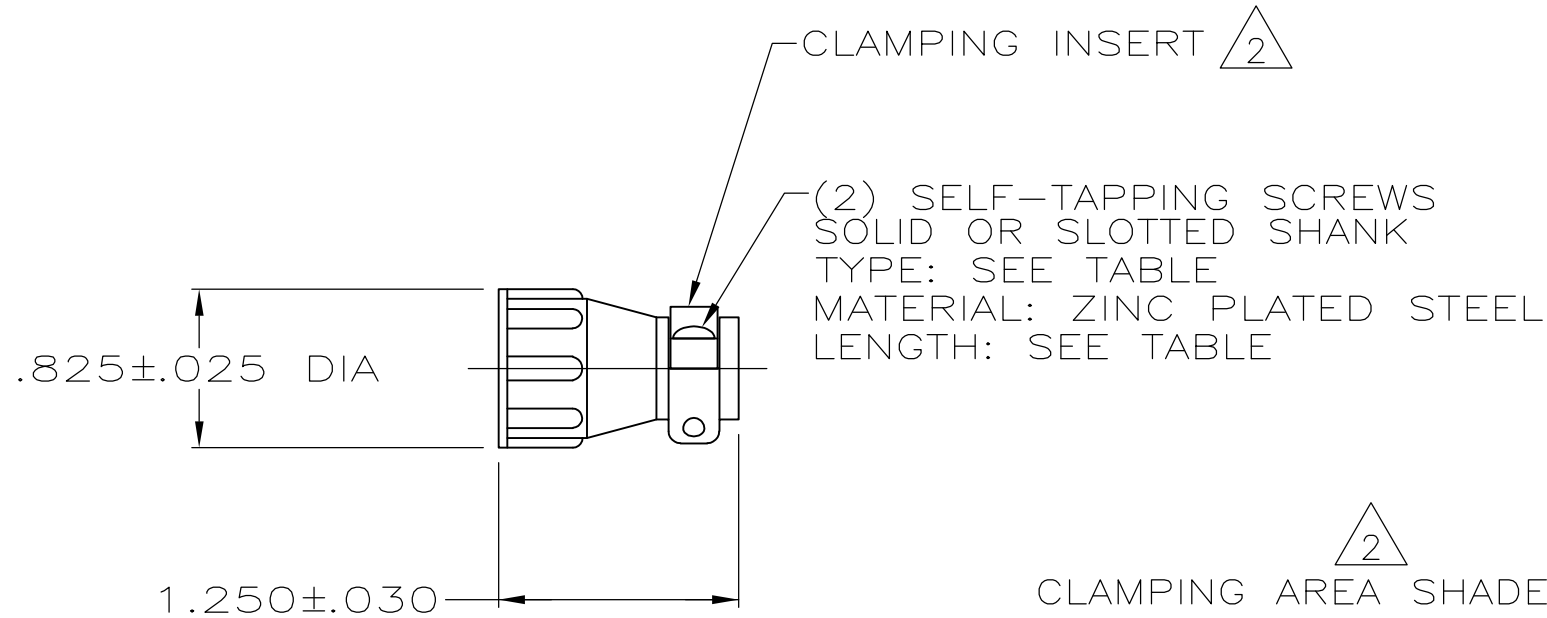


THIS DRAWING IS UNPUBLISHED. RELEASED FOR PUBLICATION  
 © COPYRIGHT BY TYCO ELECTRONICS CORPORATION. ALL INTERNATIONAL RIGHTS RESERVED.

LOC	DIST	REVISIONS					
FT	0	P	LTR	DESCRIPTION	DATE	DWN	APVD
			U	REVISED PER ECO-08-029122	22NOV08	HMR	MS



- 1 PARTS PACKAGED UNASSEMBLED.
- 2 CABLE CLAMPING AREA ADJUSTABLE FROM .004 TO .055 SQ IN BY REVERSING CLAMPING INSERTS.
- 3 .329 MAXIMUM CABLE OUTSIDE DIAMETER.
- 4 BULK PACKAGED KITS TO BE ORDERED IN MULTIPLES OF 400 ONLY.
- 5 OBSOLETE PART NUMBER.
- 6 STAINLESS STEEL (NON MAGNATIC).
- 7 CABLE CLAMP WITH NON-MAGNETIC STAINLESS STEEL SCREWS.
- 8 ZINC PLATED STEEL, NON-HEXAVALENT CHROMATE.

	INDIVIDUAL	8	.38±.00	#5-20	1-206062-6
4	BULK	8	.38±.00	#5-20	1-206062-5
	INDIVIDUAL	8	.50±.00	#5-20	1-206062-4
	INDIVIDUAL	8	.62±.00	#5-20	1-206062-3
7	INDIVIDUAL	6	.50±.00	#5-20	1-206062-2
	INDIVIDUAL	8	.62±.00	#5-20	1-206062-1
	SMALL PACK	8	.38±.00	#5-20	1-206062-0
	AMP BRAZIL USE ONLY	INDIVIDUAL	12mm <sup>+0</sup> <sub>-.8</sub>	3mm-20	5 206062-9
	AMP BRAZIL USE ONLY	INDIVIDUAL	10mm <sup>+0</sup> <sub>-.8</sub>	3mm-20	5 206062-8
4	BULK	6	.50±.00	#5-20	206062-4
	INDIVIDUAL	8	.50±.00	#5-20	206062-3
4	BULK	8	.38±.00	#5-20	206062-2
	INDIVIDUAL	8	.38±.00	#5-20	206062-1
	PACKAGING	SCREW FINISH	SCREW LENGTH	SCREW TYPE	PART NUMBER

THIS DRAWING IS A CONTROLLED DOCUMENT.		DWN	4/29/91	Tyco Electronics Corporation	
		CHK	7-22-92	Harrisburg, PA 17105-3608	
		APVD	-	NAME	
		PRODUCT SPEC	-	CABLE CLAMP KIT, STANDARD, SHELL SIZE 11, CPC	
		APPLICATION SPEC	-	SIZE	RESTRICTED TO
		WEIGHT	-	A3	-
		CUSTOMER DRAWING		CAGE CODE	REV
		SCALE		00779	U
		SHEET		G-206062	1 OF 1
		1 OF 1			

AMP BRAZIL USE ONLY  
 AMP BRAZIL USE ONLY